

Metal Flange Butterfly Valve Features

- Adopting circular arrow mark, the pointer can indicate valve position accurately.
- Easy disassembly and convenient maintenance

Applications

- Environmental protection, water supply and drainage, water treatment engineering
- HVAC

Certification:CE, , ISO9001, MA, AL

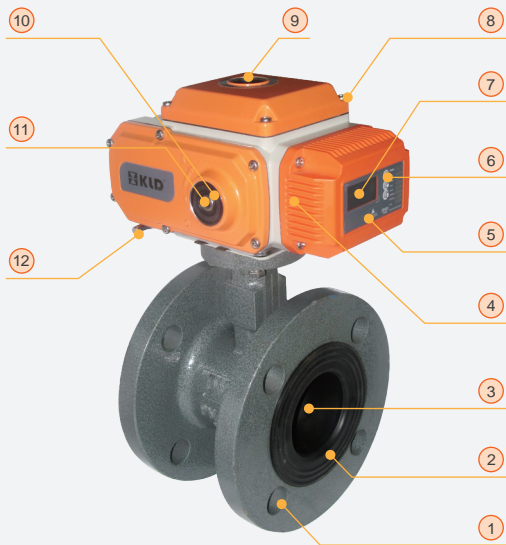


500N normal on/off model



1000N normal on/off model

500C Smart Metal Flange Butterfly Valve Main Components Diagram

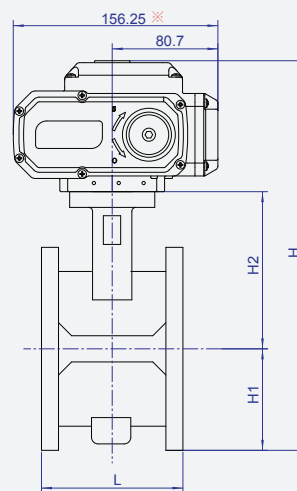
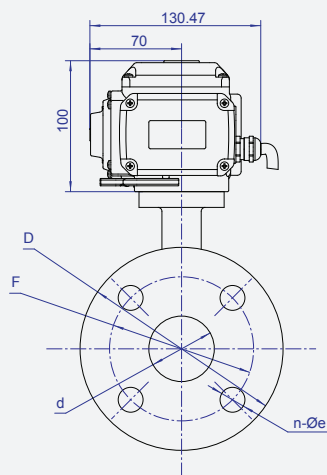


Main Components

No.	Parts	Material	Qty
1	Valve body	Casting iron/304	1
2	Disc seal	EPDM	1
3	Disc	304	1
4	Terminal block	Heatproof ABS	1
5	Label	PVC	1
6	Key ※	Rubber	3
7	Screen ※	OLED	1
8	Screws	304	17
9	Indicator	Tempered glass	1
10	Oil seal	NBR	1
11	Manual shaft	304	1
12	Hexagon wrench	Tool steel	1

※ Normal on/off model no key and 1.3-inch OLED screen.

Dimension 【500N, DN40-DN80】



Connection Size (unit: mm)

DN	d	L	H1	H2	H	D	F	n-øe	W(Kg)
40	40	108	77.5	120	332.5	155	110	4-φ19	
50	50	108	82.5	130	347.5	165	125	4-φ18	
65	65	112	92.5	140	367.5	185	145	4-φ18	
80	80	114	100.0	145	380.0	200	160	4-φ18	

※ The length of 500C actuator is 173.25 mm.

1000C Smart Metalflange Butterfly Valve Main Components Diagram

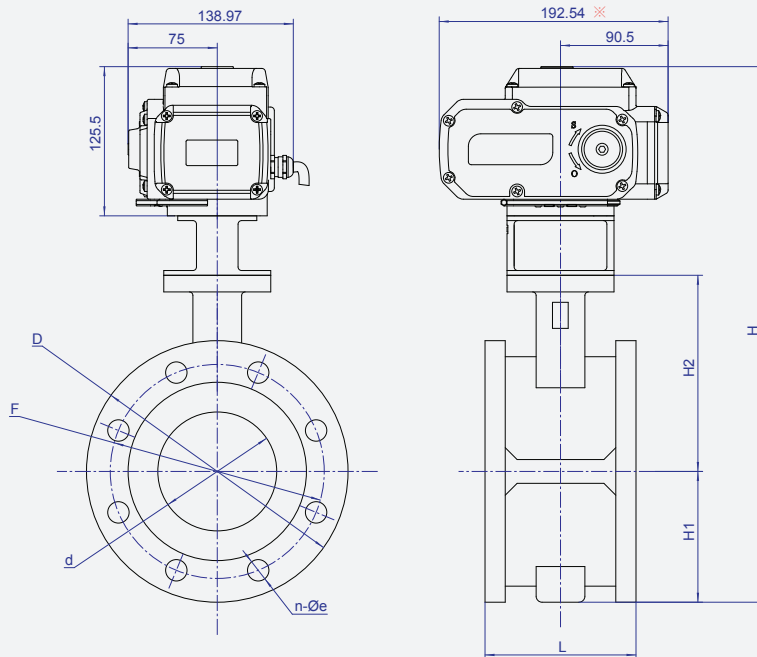


Main Components

NO.	Parts	Material	Qty
1	Disc seal	EPDM	1
2	Disc	304	1
3	Bracket	304	1
4	Terminal block	Heatproof ABS	1
5	Label	PVC	1
6	Key	Rubber	3
7	Screen	OLED	1
8	Screws	304	17
9	Indicator	Tempered glass	1
10	Oil seal	NBR	1
11	Manual shaft	304	1
12	Hexagon wrench	Tool steel	1
13	Coupling	304	1
14	Valve body	Casting iron/304	1

※ Normal on/off model no key and 1.3-inch OLED screen.

Dimension 【1000N, DN100】

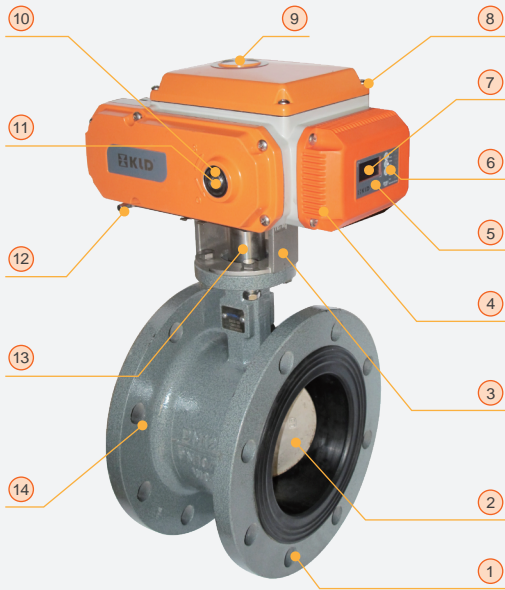


Connection Size (unit: mm)

DN	d	L	H1	H2	H	D	F	n-φe	W(Kg)
100	100	127	110	165	450.5	220	180	8-φ18	

※ The length of 1000C actuator is 209.54mm.

2000C Smart Metal Flange Butterfly Valve Main Components Diagram

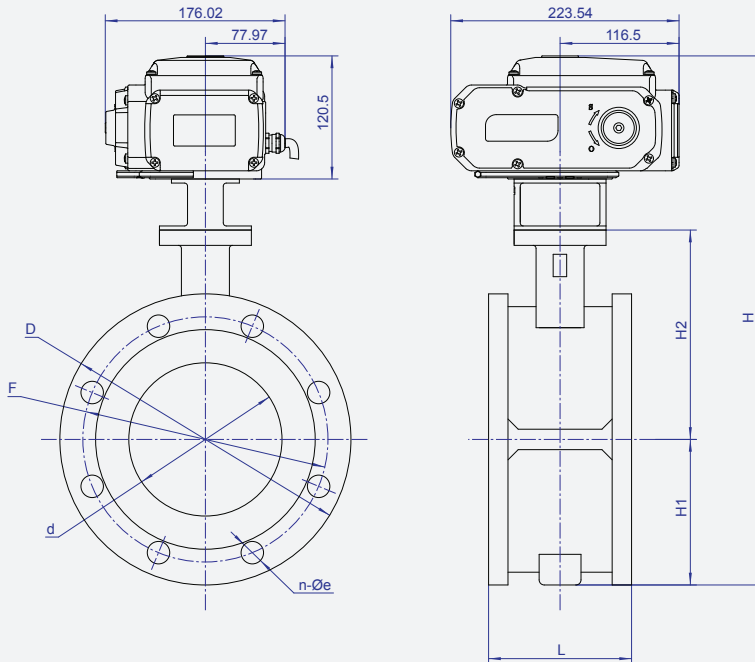


Main Components

No.	Parts	Material	Qty
1	Disc seal	EPDM	1
2	Disc	304	1
3	Bracket	304	1
4	Terminal block	Heatproof ABS	1
5	Label	PVC	1
6	Key	Rubber	3
7	Screen	OLED	1
8	Screws	304	17
9	Indicator	Tempered glass	1
10	Oil seal	NBR	1
11	Manual shaft	304	1
12	Hexagon Wrench	Tool steel	1
13	Coupling	304	1
14	Valve body	Casting iron/304	1

※ Normal on/off model no key and 1.3-inch OLED screen.

Dimension 【2000N, DN125-DN200】



Connection Size (unit: mm)


DN	d	L	H1	H2	H	D	F	n-φe		W(Kg)
								1.0Mpa	1.6Mpa	
125	125	140	125.0	180.0	475.5	250	210	8-φ18	8-φ18	
150	150	140	142.5	205.0	518.0	285	240	8-φ22	8-φ22	
200	200	152	170.0	332.5	676.0	340	295	8-φ22	12-φ22	

Electrical Parameters

Series type	Rated torque @rated voltage	Rated voltage	Available voltage range	Run/static power consumption @rated voltage	Peak current @rated voltage @5ms	External fuse specification	Running time (Per 90°) ※	Optional control mode	
KLD-200N	15N.m	DC24V	DC22V-28V	36W/0.25W	1.5A	3A	10S@Power up 15S@Power down	KT32 or KT32S	
		AC110V	AC90V-130V	40W/1.6W	90mA	1A			
		AC230V	AC190-250V	40W/1.6W	90mA	1A			
	20N.m	DC12V	DC10-14V	3.5W/0.3W	15W/0.1W	1A	2A	10S	B3 BD3 B3S BD3S
		DC24V	DC22V-28V			1.2A	2A		
		AC24V	AC18V-26V			0.5A	2A		
KLD-500N	50N.m	AC110V	AC90V-130V	60W/1.5W	2.5A	5A	10S	B3S BD3S	
		DC24V	DC22V-28V	50W/1W	3A	5A			
		AC230V	AC190-250V		1A	2A			
KLD-1000N	100N.m	DC24V	DC22V-28V	60W/1W	3.5A	5A	10S	B3S BD3S	
		AC24V	AC22V-28V	80W/1W	3.5A	5A			
		AC110V	AC90V-130V		1.5A	3A	30S		
		AC230V	AC190-250V	0.6A	2A				
KLD-2000N	200N.m	DC24V	DC22V-28V	180W/1W	4A	10A	10S	B3S BD3S	
		AC110V	AC90V-130V	150W/1W	2A	5A	30S		
		AC230V	AC190-250V		1A	5A			
KLD-4000N	400N.m	DC24V	DC22V-28V	240W/1W	5A	10A	10S	B3S BD3S	
		AC110V	AC90V-130V	200W/1W	2.5A	5A	30S		
		AC230V	AC190-250V		2A	5A			

※ Since the running time is affected by the valve body, it is considered to be qualified within ± 3s.

Function Parameters

The valve ball rotation Angel	90°
Protection grade	IP67 or F Type
Manual function	Standard (Manual override is only permitted to be used when power is cut)
Indicator	

Working Conditions

Ambient temperature	-20 ——60
Ambient humidity	Relative humidity≤85% ---- Suitable for IP67
	Relative humidity > 85% ---- Suitable for F Type
Medium temperature ¹	0-100
Medium pressure ²	≤1.0MPa

※1 It needs to use high-temperature bracket if working medium temperature is over 100 C.

※2 DN40-DN65 can reach 1.6MPa. It needs to be customized if working medium pressure is over rated pressure.